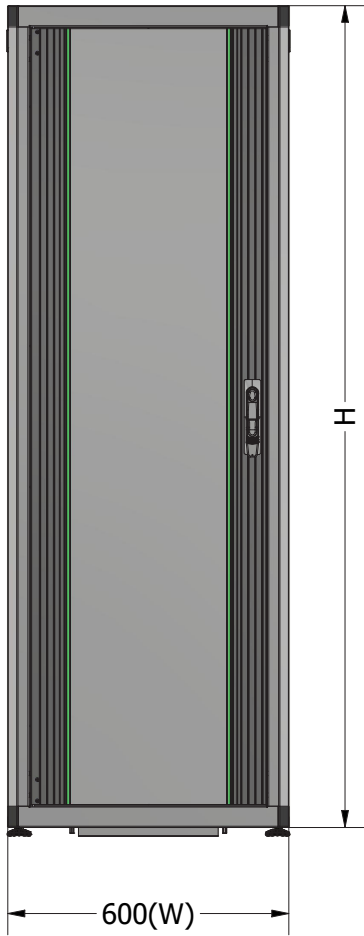




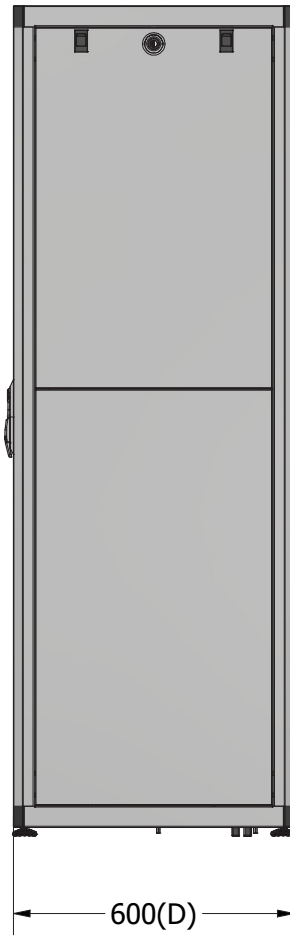


CASTOR CAN BE PREFERRED AS AN OPTION.

Front View



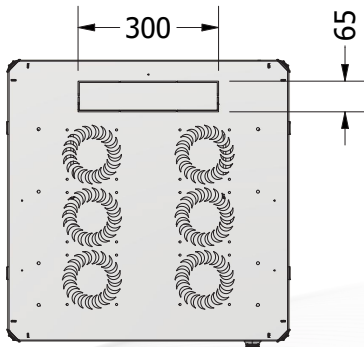
Side View



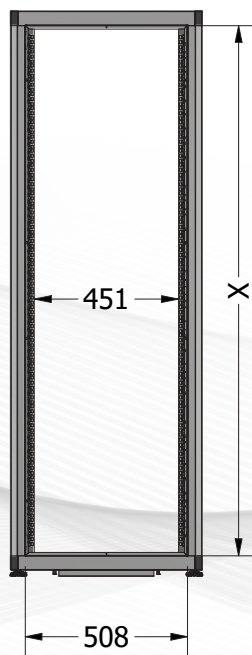
Rear View



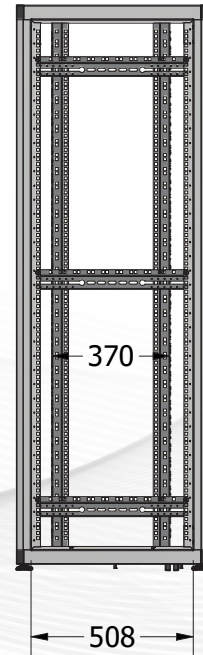
Top View



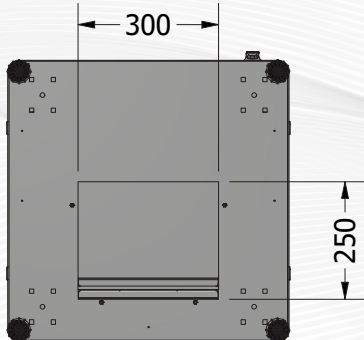
Front View



Side View

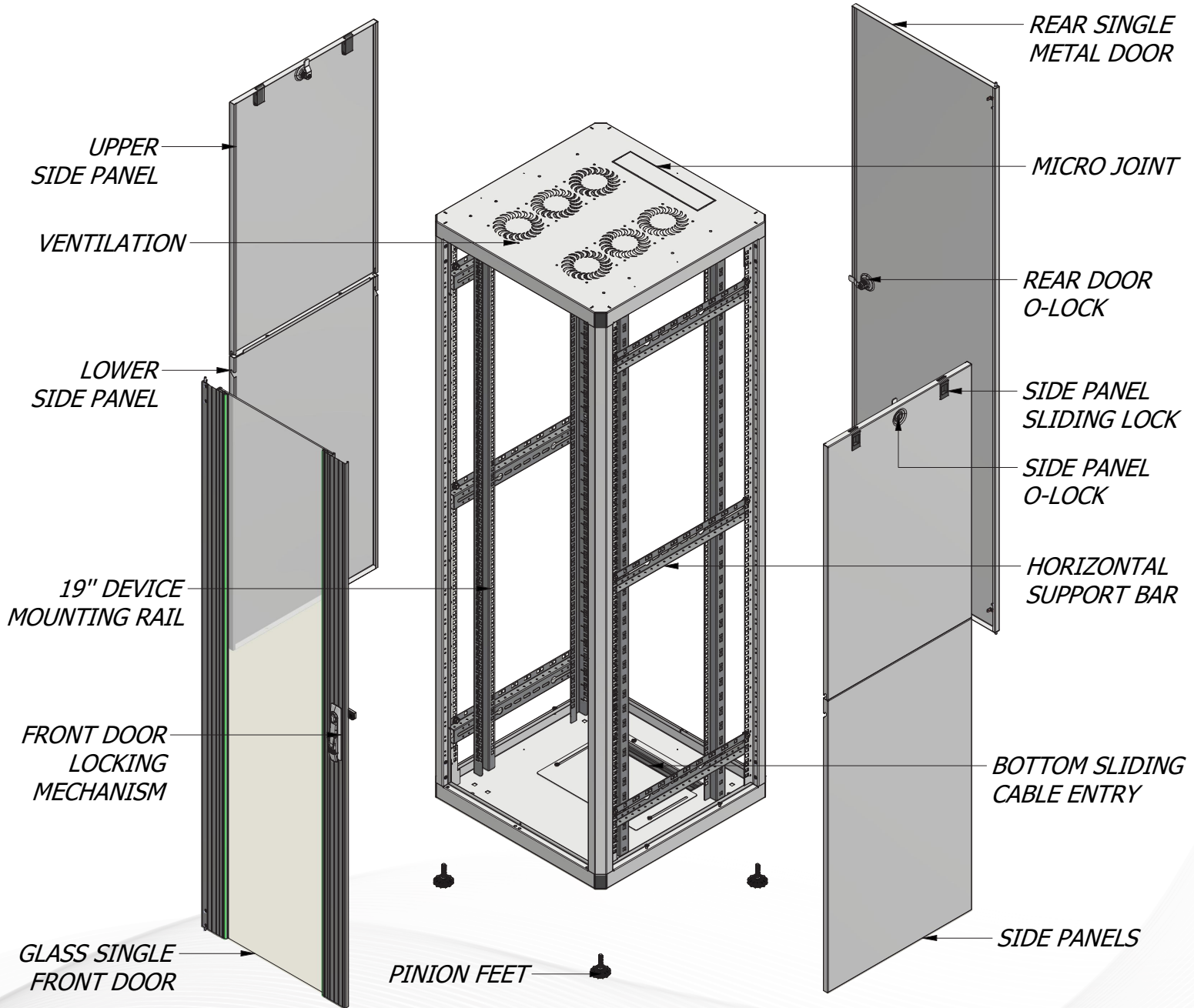


Bottom View



MATERIAL: 1.2 mm Steel / Powder Coating RAL9005 / RAL7035				
Load Capacity: 1000kg				
STANDARD TYPE PRODUCT CODES	DIMENSIONS(mm)			
Size	W	H	D	X
MR.GTN12U66.XX	600mm	684mm	600mm	594mm
MR.GTN16U66.XX	600mm	861mm	600mm	771mm
MR.GTN20U66.XX	600mm	1039mm	600mm	949mm
MR.GTN22U66.XX	600mm	1128mm	600mm	1038mm
MR.GTN26U66.XX	600mm	1306mm	600mm	1216mm
MR.GTN32U66.XX	600mm	1573mm	600mm	1483mm
MR.GTN36U66.XX	600mm	1750mm	600mm	1660mm
MR.GTN40U66.XX	600mm	1928mm	600mm	1838mm
MR.GTN42U66.XX	600mm	2017mm	600mm	1927mm
MR.GTN46U66.XX	600mm	2195mm	600mm	2105mm
PRODUCT CODES WITH %63 PERFORATED DOOR OPTIONS AND DESCRIPTION				
XX_PRF63	Front Single Perforated-Rear Double Perforated			
XX_OPRF63	Front Single Perforated-Rear Solid Metal (W600 Single / W800 Double)			
XX_ODPRF63	Front Double Perforated-Rear Solid Metal (W600 Single / W800 Double)			
XX_APRF63	Rear Single Perforated-Front Glass (W600 Single / W800 Double)			
XX_ADPRF63	Rear Double Perforated-Front Glass (W600 Single / W800 Double)			
XX_OADPRF63	Front Double Perforated-Rear Double Perforated			
XX_OAPRF63	Front Single Perforated-Rear Single Perforated			
XX_ODAPRF63	Front Double Perforated-Rear Single Perforated			
XX_NOPRF63	Angled Front Perforated-Rear Solid Metal (W600 Single / W800 Double)			
XX_NPRF63	Angled Front Perforated-Rear Double Perforated			
PRODUCT CODES WITH %80 PERFORATED DOOR OPTIONS				
XX_PRF80	Front Single Perforated-Rear Double Perforated			
XX_OPRF80	Front Single Perforated-Rear Solid Metal (W600 Single / W800 Double)			
XX_ODPRF80	Front Double Perforated-Rear Solid Metal (W600 Single / W800 Double)			
XX_APRF80	Rear Single Perforated-Front Glass (W600 Single / W800 Double)			
XX_ADPRF80	Rear Double Perforated-Front Glass (W600 Single / W800 Double)			
XX_OADPRF80	Front Double Perforated-Rear Double Perforated			
XX_OAPRF80	Front Single Perforated-Rear Single Perforated			
XX_ODAPRF80	Front Double Perforated-Rear Single Perforated			
XX_NOPRF80	Angled Front Perforated-Rear Solid Metal (W600 Single / W800 Double)			
XX_NPRF80	Angled Front Perforated-Rear Double Perforated			

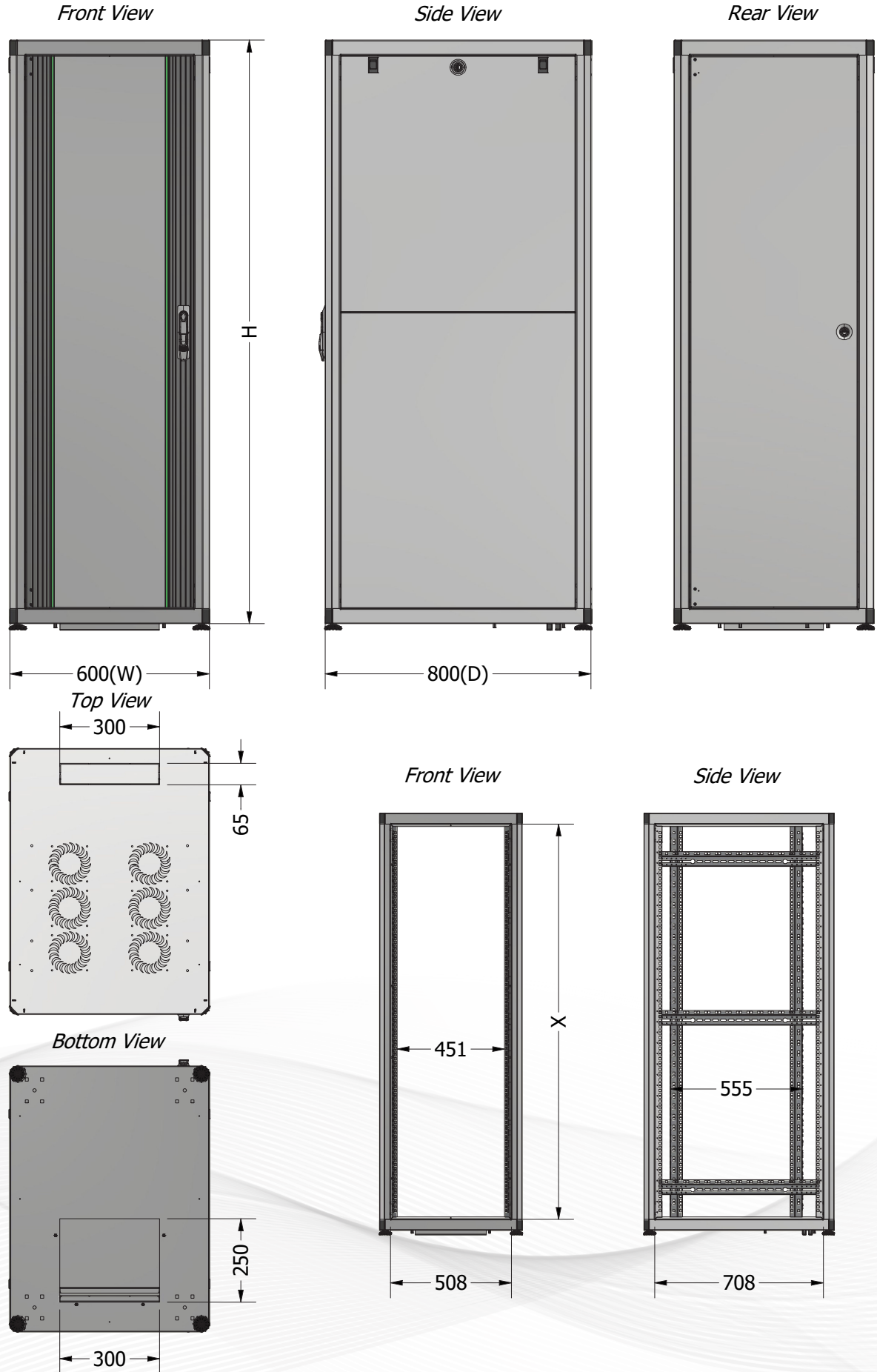
- For H-42U and above, 3 pcs. hinges are used on the doors. (only for perforated covers)





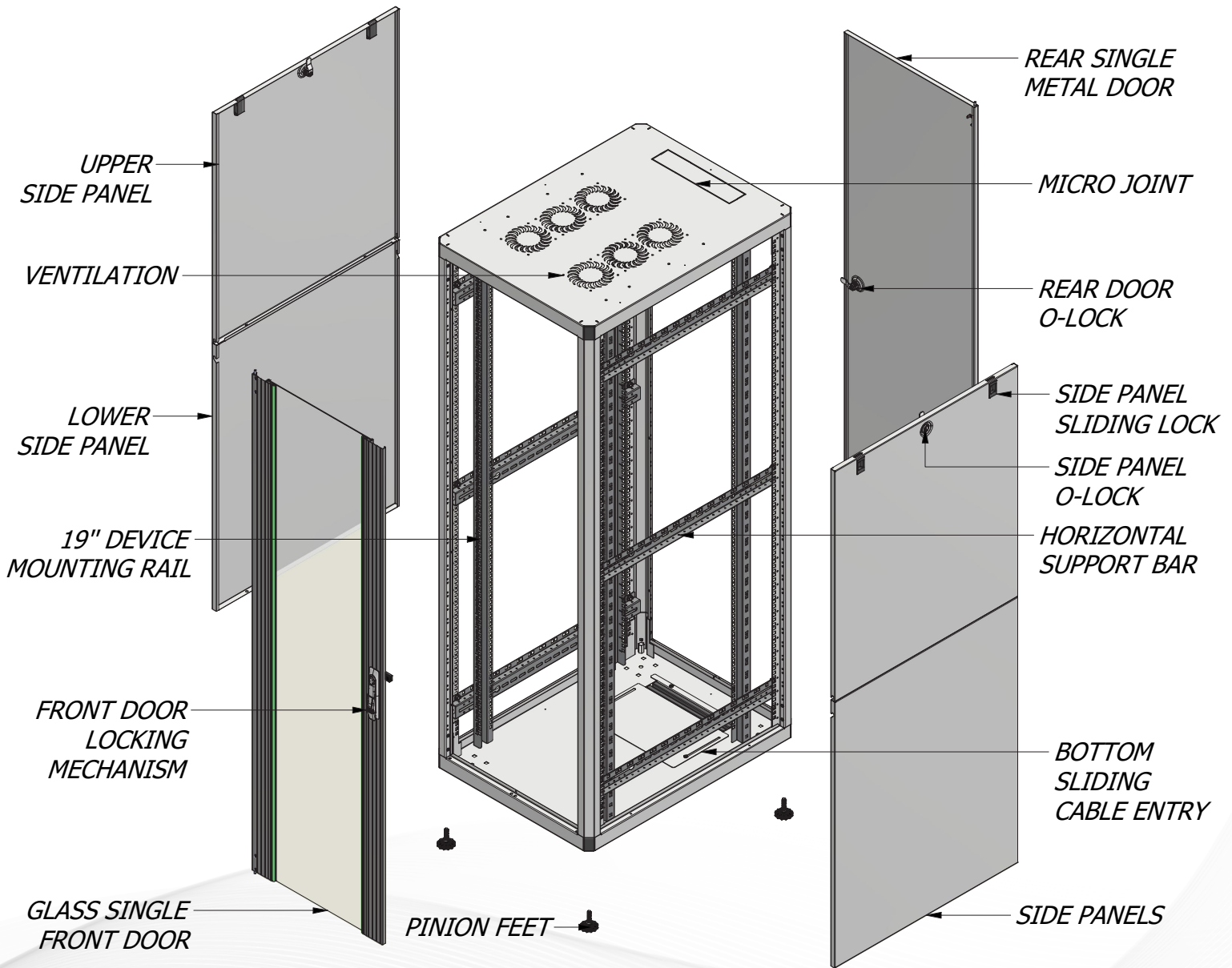


CASTOR CAN BE PREFERRED AS AN OPTION.



MATERIAL: 1.2 mm Steel / Powder Coating RAL9005 / RAL7035				
Load Capacity: 1000kg				
STANDARD TYPE PRODUCT CODES	DIMENSIONS(mm)			
Size	W	H	D	X
MR.GTN12U68.XX	600mm	684mm	800mm	594mm
MR.GTN16U68.XX	600mm	861mm	800mm	771mm
MR.GTN20U68.XX	600mm	1039mm	800mm	949mm
MR.GTN22U68.XX	600mm	1128mm	800mm	1038mm
MR.GTN26U68.XX	600mm	1306mm	800mm	1216mm
MR.GTN32U68.XX	600mm	1573mm	800mm	1483mm
MR.GTN36U68.XX	600mm	1750mm	800mm	1660mm
MR.GTN40U68.XX	600mm	1928mm	800mm	1838mm
MR.GTN42U68.XX	600mm	2017mm	800mm	1927mm
MR.GTN46U68.XX	600mm	2195mm	800mm	2105mm
PRODUCT CODES WITH %63 PERFORATED DOOR OPTIONS AND DESCRIPTION				
XX_PRF63	Front Single Perforated-Rear Double Perforated			
XX_OPRF63	Front Single Perforated-Rear Solid Metal (W600 Single / W800 Double)			
XX_ODPRF63	Front Double Perforated-Rear Solid Metal (W600 Single / W800 Double)			
XX_APRF63	Rear Single Perforated-Front Glass (W600 Single / W800 Double)			
XX_ADPRF63	Rear Double Perforated-Front Glass (W600 Single / W800 Double)			
XX_OADPRF63	Front Double Perforated-Rear Double Perforated			
XX_OAPRF63	Front Single Perforated-Rear Single Perforated			
XX_ODAPRF63	Front Double Perforated-Rear Single Perforated			
XX_NOPRF63	Angled Front Perforated-Rear Solid Metal (W600 Single / W800 Double)			
XX_NPRF63	Angled Front Perforated-Rear Double Perforated			
PRODUCT CODES WITH %80 PERFORATED DOOR OPTIONS				
XX_PRF80	Front Single Perforated-Rear Double Perforated			
XX_OPRF80	Front Single Perforated-Rear Solid Metal (W600 Single / W800 Double)			
XX_ODPRF80	Front Double Perforated-Rear Solid Metal (W600 Single / W800 Double)			
XX_APRF80	Rear Single Perforated-Front Glass (W600 Single / W800 Double)			
XX_ADPRF80	Rear Double Perforated-Front Glass (W600 Single / W800 Double)			
XX_OADPRF80	Front Double Perforated-Rear Double Perforated			
XX_OAPRF80	Front Single Perforated-Rear Single Perforated			
XX_ODAPRF80	Front Double Perforated-Rear Single Perforated			
XX_NOPRF80	Angled Front Perforated-Rear Solid Metal (W600 Single / W800 Double)			
XX_NPRF80	Angled Front Perforated-Rear Double Perforated			

- For H-42U and above, 3 pcs. hinges are used on the doors. (only for perforated covers)

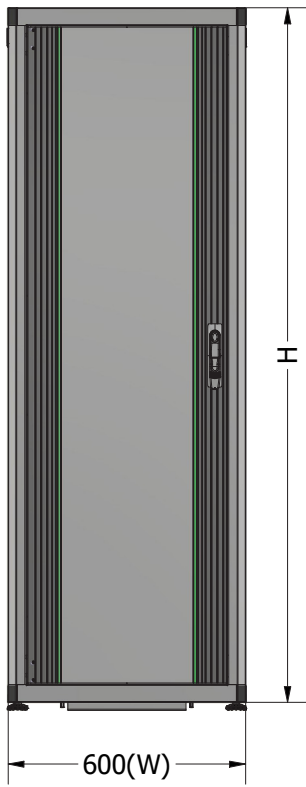




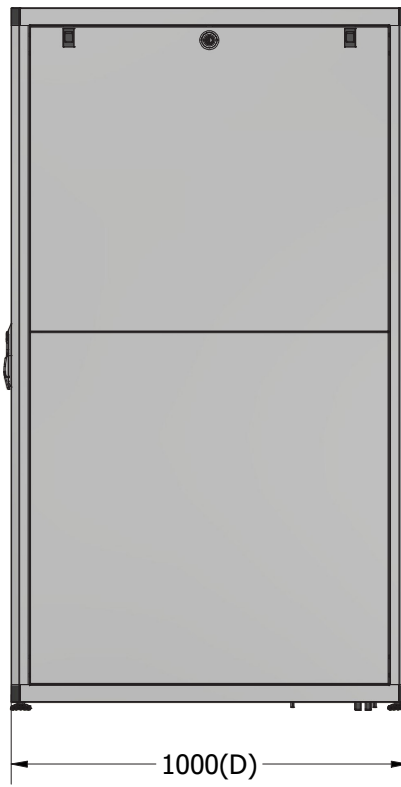


CASTOR CAN BE PREFERRED AS AN OPTION.

Front View



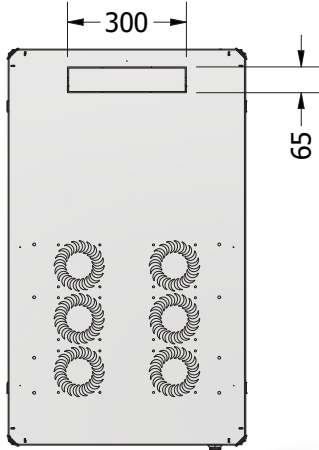
Side View



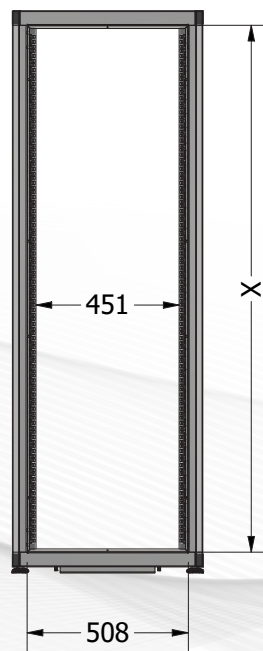
Rear View



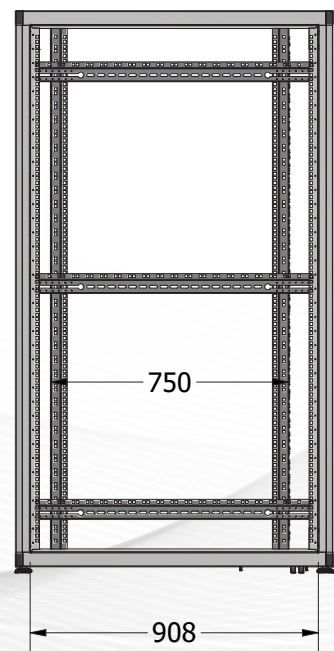
Top View



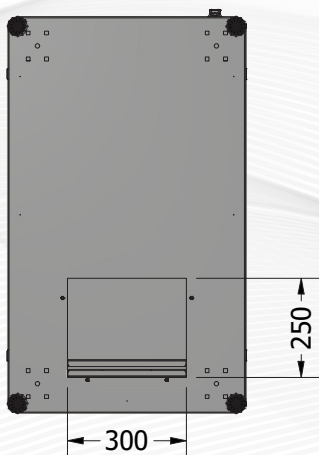
Front View



Side View

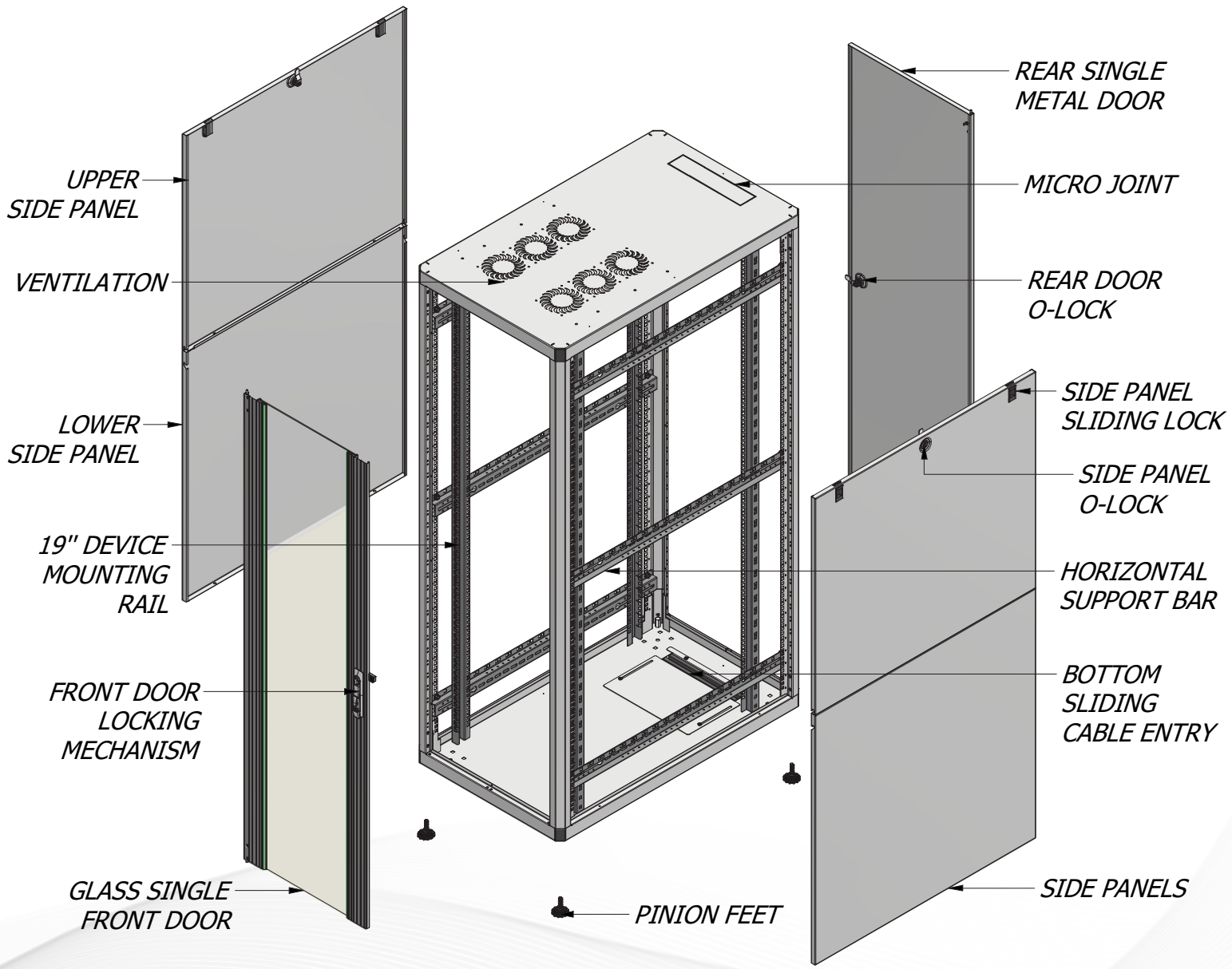


Bottom View



MATERIAL: 1.2 mm Steel / Powder Coating RAL9005 / RAL7035				
Load Capacity: 1000kg				
STANDARD TYPE PRODUCT CODES	DIMENSIONS(mm)			
Size	W	H	D	X
MR.GTN12U61.XX	600mm	684mm	1000mm	594mm
MR.GTN16U61.XX	600mm	861mm	1000mm	771mm
MR.GTN20U61.XX	600mm	1039mm	1000mm	949mm
MR.GTN22U61.XX	600mm	1128mm	1000mm	1038mm
MR.GTN26U61.XX	600mm	1306mm	1000mm	1216mm
MR.GTN32U61.XX	600mm	1573mm	1000mm	1483mm
MR.GTN36U61.XX	600mm	1750mm	1000mm	1660mm
MR.GTN40U61.XX	600mm	1928mm	1000mm	1838mm
MR.GTN42U61.XX	600mm	2017mm	1000mm	1927mm
MR.GTN46U61.XX	600mm	2195mm	1000mm	2105mm
PRODUCT CODES WITH %63 PERFORATED DOOR OPTIONS AND DESCRIPTION				
XX_PRFF63	Front Single Perforated-Rear Double Perforated			
XX_OPRF63	Front Single Perforated-Rear Solid Metal (W600 Single / W800 Double)			
XX_ODPRF63	Front Double Perforated-Rear Solid Metal (W600 Single / W800 Double)			
XX_APRF63	Rear Single Perforated-Front Glass (W600 Single / W800 Double)			
XX_ADPRF63	Rear Double Perforated-Front Glass (W600 Single / W800 Double)			
XX_OADPRF63	Front Double Perforated-Rear Double Perforated			
XX_OAPRF63	Front Single Perforated-Rear Single Perforated			
XX_ODAPRF63	Front Double Perforated-Rear Single Perforated			
XX_NOPRF63	Angled Front Perforated-Rear Solid Metal (W600 Single / W800 Double)			
XX_NPRF63	Angled Front Perforated-Rear Double Perforated			
PRODUCT CODES WITH %80 PERFORATED DOOR OPTIONS				
XX_PRFF80	Front Single Perforated-Rear Double Perforated			
XX_OPRF80	Front Single Perforated-Rear Solid Metal (W600 Single / W800 Double)			
XX_ODPRF80	Front Double Perforated-Rear Solid Metal (W600 Single / W800 Double)			
XX_APRF80	Rear Single Perforated-Front Glass (W600 Single / W800 Double)			
XX_ADPRF80	Rear Double Perforated-Front Glass (W600 Single / W800 Double)			
XX_OADPRF80	Front Double Perforated-Rear Double Perforated			
XX_OAPRF80	Front Single Perforated-Rear Single Perforated			
XX_ODAPRF80	Front Double Perforated-Rear Single Perforated			
XX_NOPRF80	Angled Front Perforated-Rear Solid Metal (W600 Single / W800 Double)			
XX_NPRF80	Angled Front Perforated-Rear Double Perforated			

- For H-42U and above, 3 pcs. hinges are used on the doors. (only for perforated covers)
- In cabinets with depths of 1100 and 1200, additional side panels are mounted.

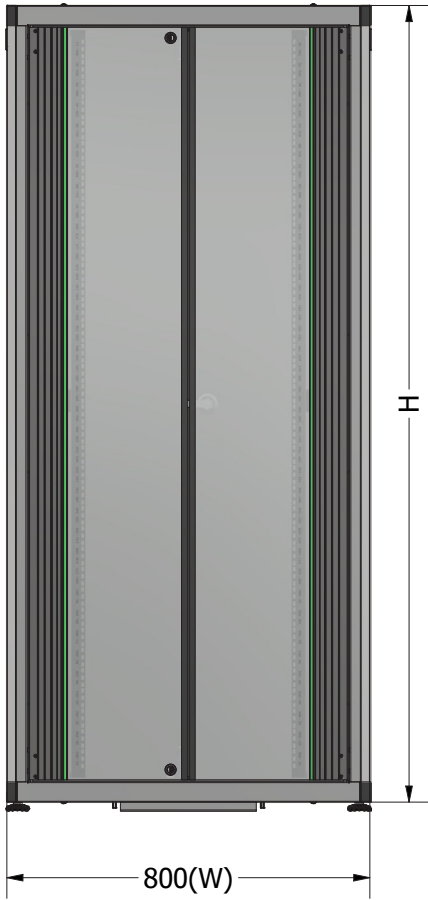




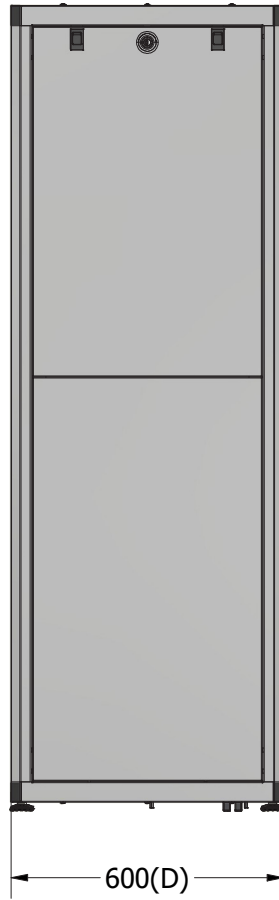


CASTOR CAN BE PREFERRED AS AN OPTION.

Front View



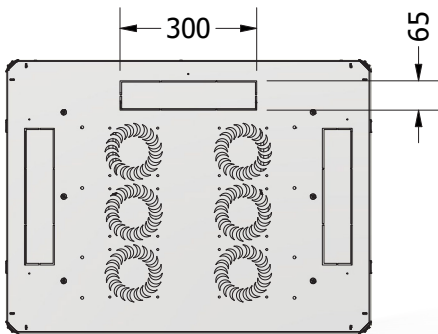
Side View



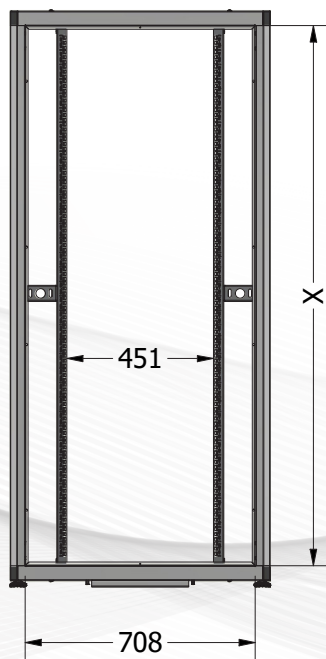
Rear View



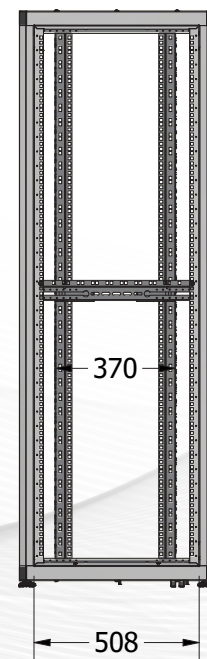
Top View



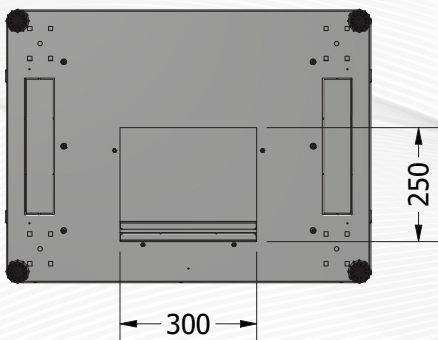
Front View



Side View

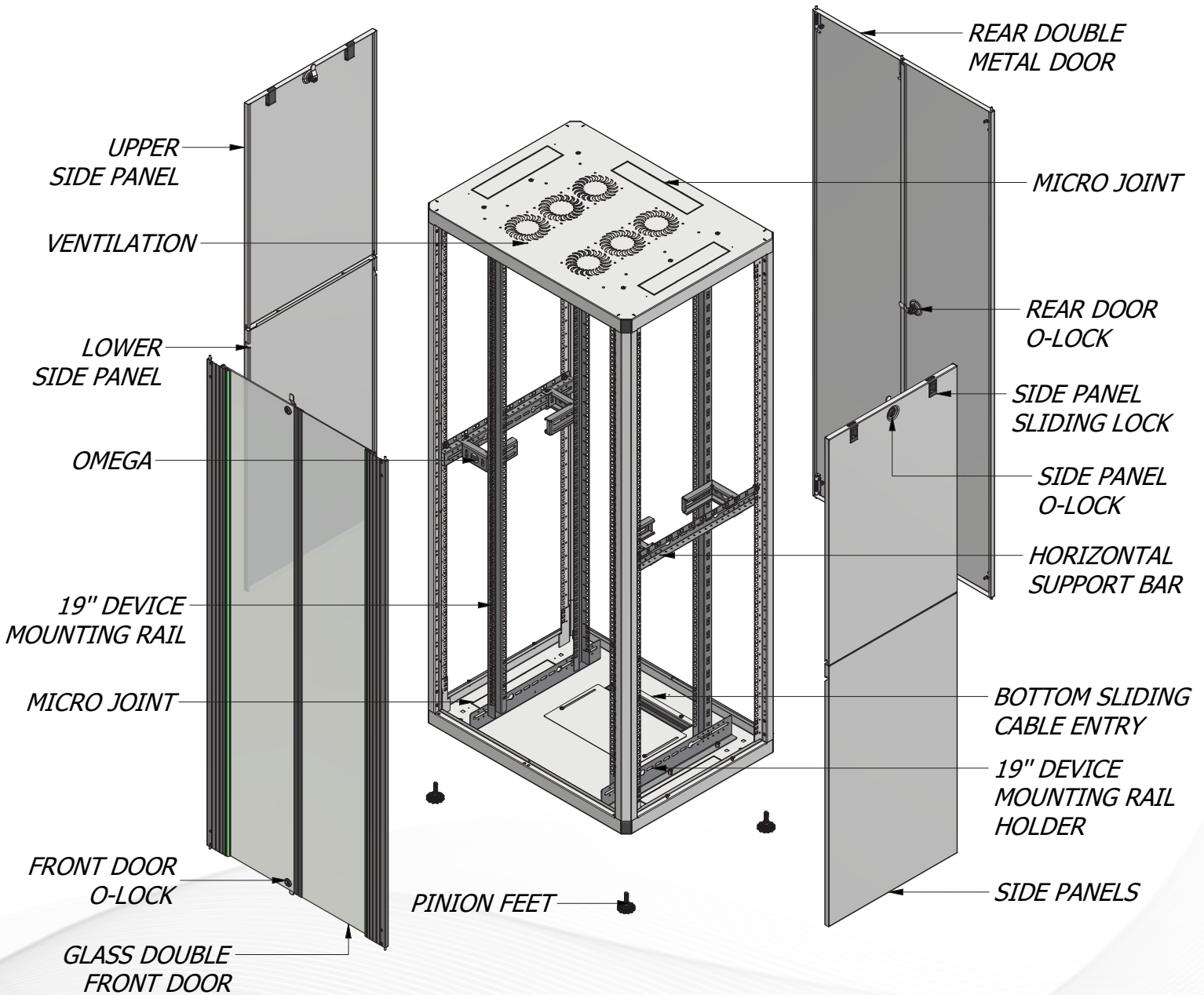


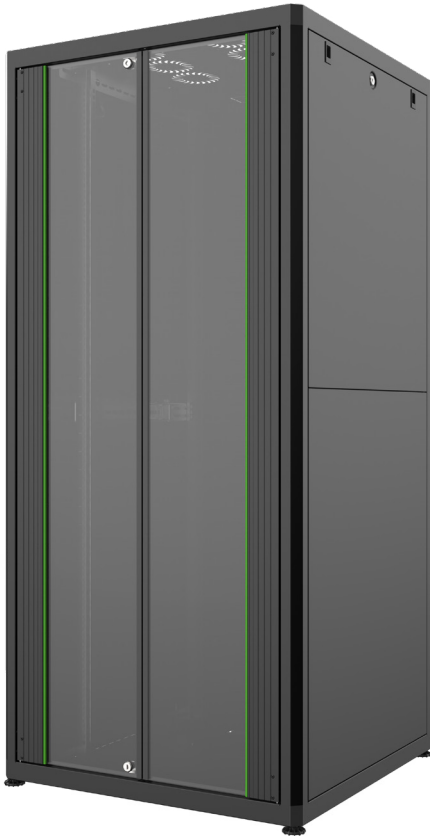
Bottom View



MATERIAL: 1.2 mm Steel / Powder Coating RAL9005 / RAL7035				
Load Capacity: 1000kg				
STANDARD TYPE PRODUCT CODES	DIMENSIONS(mm)			
Size	W	H	D	X
MR.GTN12U86.XX	800mm	684mm	600mm	594mm
MR.GTN16U86.XX	800mm	861mm	600mm	771mm
MR.GTN20U86.XX	800mm	1039mm	600mm	949mm
MR.GTN22U86.XX	800mm	1128mm	600mm	1038mm
MR.GTN26U86.XX	800mm	1306mm	600mm	1216mm
MR.GTN32U86.XX	800mm	1573mm	600mm	1483mm
MR.GTN36U86.XX	800mm	1750mm	600mm	1660mm
MR.GTN40U86.XX	800mm	1928mm	600mm	1838mm
MR.GTN42U86.XX	800mm	2017mm	600mm	1927mm
MR.GTN46U86.XX	800mm	2195mm	600mm	2105mm
PRODUCT CODES WITH %63 PERFORATED DOOR OPTIONS AND DESCRIPTION				
XX_PRF63	Front Single Perforated-Rear Double Perforated			
XX_OPRF63	Front Single Perforated-Rear Solid Metal (W600 Single / W800 Double)			
XX_ODPRF63	Front Double Perforated-Rear Solid Metal (W600 Single / W800 Double)			
XX_APRF63	Rear Single Perforated-Front Glass (W600 Single / W800 Double)			
XX_ADPRF63	Rear Double Perforated-Front Glass (W600 Single / W800 Double)			
XX_OADPRF63	Front Double Perforated-Rear Double Perforated			
XX_OAPRF63	Front Single Perforated-Rear Single Perforated			
XX_ODAPRF63	Front Double Perforated-Rear Single Perforated			
XX_NOPRF63	Angled Front Perforated-Rear Solid Metal (W600 Single / W800 Double)			
XX_NPRF63	Angled Front Perforated-Rear Double Perforated			
PRODUCT CODES WITH %80 PERFORATED DOOR OPTIONS				
XX_PRF80	Front Single Perforated-Rear Double Perforated			
XX_OPRF80	Front Single Perforated-Rear Solid Metal (W600 Single / W800 Double)			
XX_ODPRF80	Front Double Perforated-Rear Solid Metal (W600 Single / W800 Double)			
XX_APRF80	Rear Single Perforated-Front Glass (W600 Single / W800 Double)			
XX_ADPRF80	Rear Double Perforated-Front Glass (W600 Single / W800 Double)			
XX_OADPRF80	Front Double Perforated-Rear Double Perforated			
XX_OAPRF80	Front Single Perforated-Rear Single Perforated			
XX_ODAPRF80	Front Double Perforated-Rear Single Perforated			
XX_NOPRF80	Angled Front Perforated-Rear Solid Metal (W600 Single / W800 Double)			
XX_NPRF80	Angled Front Perforated-Rear Double Perforated			

- For H-42U and above, 3 pcs. hinges are used on the doors. (only for perforated covers)





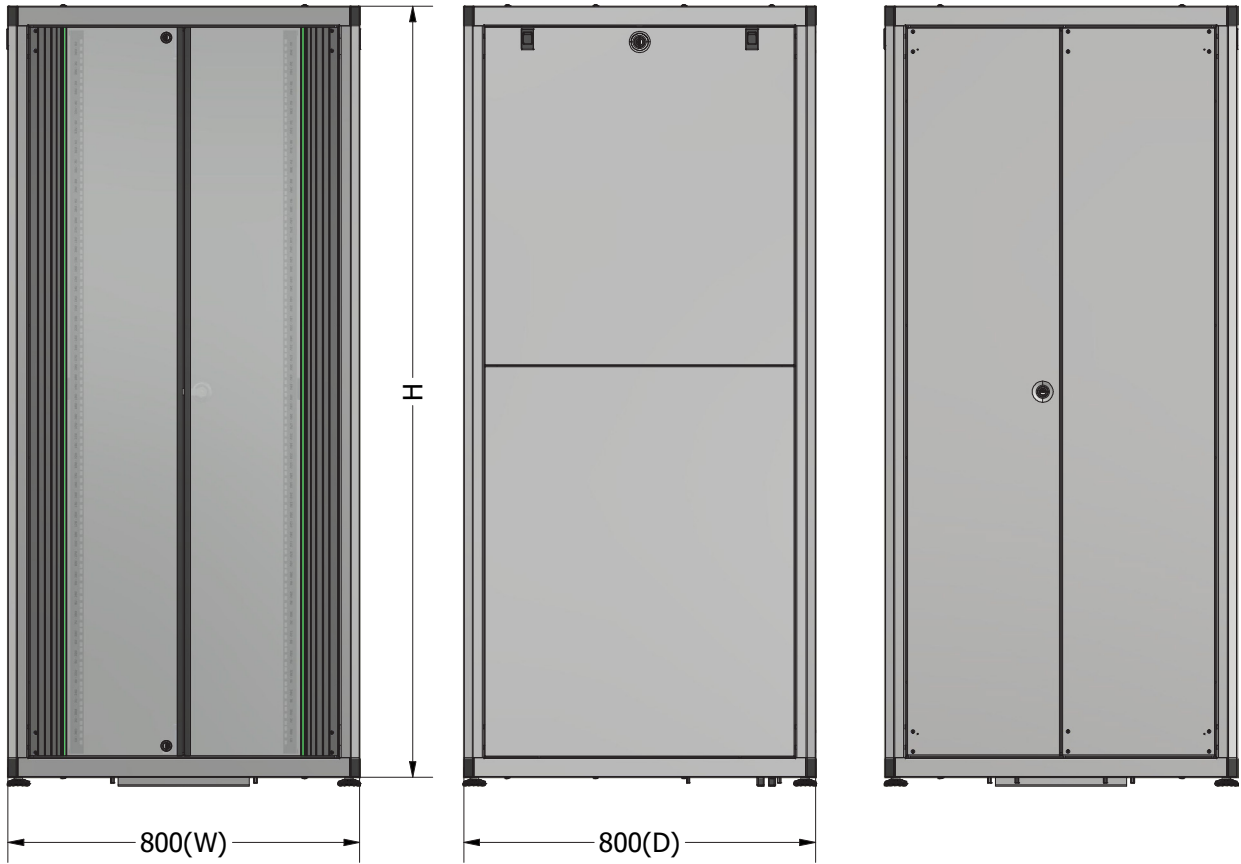


CASTOR CAN BE PREFERRED AS AN OPTION.

Front View

Side View

Rear View

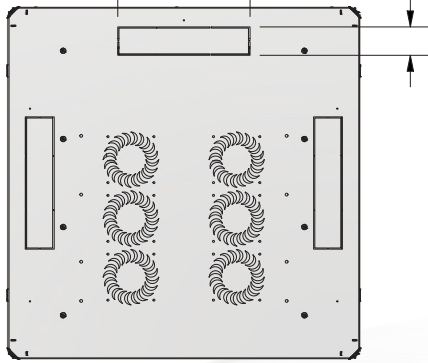


800(W)

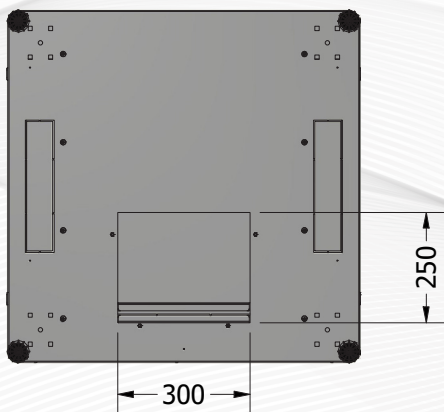
Top View

300

65



Bottom View

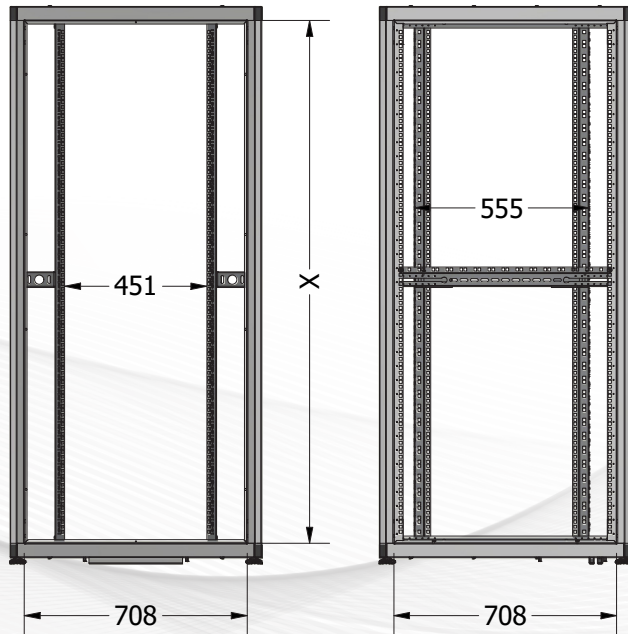


300

250

Front View

Side View



451

X

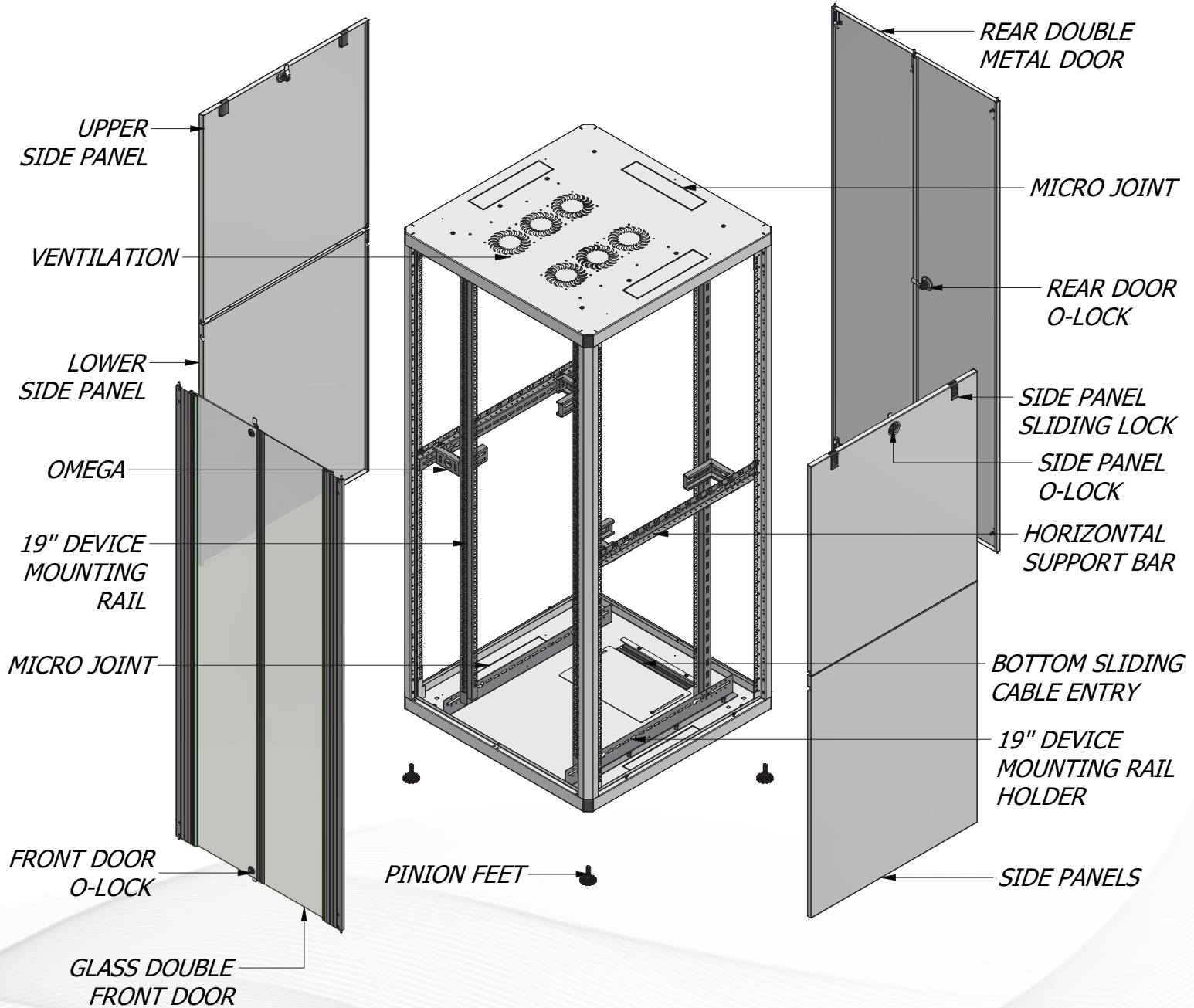
555

708

708

MATERIAL: 1.2 mm Steel / Powder Coating RAL9005 / RAL7035				
Load Capacity: 1000kg				
STANDARD TYPE PRODUCT CODES	DIMENSIONS(mm)			
Size	W	H	D	X
MR.GTN12U88.XX	800mm	684mm	800mm	594mm
MR.GTN16U88.XX	800mm	861mm	800mm	771mm
MR.GTN20U88.XX	800mm	1039mm	800mm	949mm
MR.GTN22U88.XX	800mm	1128mm	800mm	1038mm
MR.GTN26U88.XX	800mm	1306mm	800mm	1216mm
MR.GTN32U88.XX	800mm	1573mm	800mm	1483mm
MR.GTN36U88.XX	800mm	1750mm	800mm	1660mm
MR.GTN40U88.XX	800mm	1928mm	800mm	1838mm
MR.GTN42U88.XX	800mm	2017mm	800mm	1927mm
MR.GTN46U88.XX	800mm	2195mm	800mm	2105mm
PRODUCT CODES WITH %63 PERFORATED DOOR OPTIONS AND DESCRIPTION				
XX_PRFF63	Front Single Perforated-Rear Double Perforated			
XX_OPRFF63	Front Single Perforated-Rear Solid Metal (W600 Single / W800 Double)			
XX_ODPRFF63	Front Double Perforated-Rear Solid Metal (W600 Single / W800 Double)			
XX_APRFF63	Rear Single Perforated-Front Glass (W600 Single / W800 Double)			
XX_ADPRFF63	Rear Double Perforated-Front Glass (W600 Single / W800 Double)			
XX_OADPRFF63	Front Double Perforated-Rear Double Perforated			
XX_OAPRFF63	Front Single Perforated-Rear Single Perforated			
XX_ODAPRFF63	Front Double Perforated-Rear Single Perforated			
XX_NOPRFF63	Angled Front Perforated-Rear Solid Metal (W600 Single / W800 Double)			
XX_NPRFF63	Angled Front Perforated-Rear Double Perforated			
PRODUCT CODES WITH %80 PERFORATED DOOR OPTIONS				
XX_PRFF80	Front Single Perforated-Rear Double Perforated			
XX_OPRFF80	Front Single Perforated-Rear Solid Metal (W600 Single / W800 Double)			
XX_ODPRFF80	Front Double Perforated-Rear Solid Metal (W600 Single / W800 Double)			
XX_APRFF80	Rear Single Perforated-Front Glass (W600 Single / W800 Double)			
XX_ADPRFF80	Rear Double Perforated-Front Glass (W600 Single / W800 Double)			
XX_OADPRFF80	Front Double Perforated-Rear Double Perforated			
XX_OAPRFF80	Front Single Perforated-Rear Single Perforated			
XX_ODAPRFF80	Front Double Perforated-Rear Single Perforated			
XX_NOPRFF80	Angled Front Perforated-Rear Solid Metal (W600 Single / W800 Double)			
XX_NPRFF80	Angled Front Perforated-Rear Double Perforated			

- For H-42U and above, 3 pcs. hinges are used on the doors. (only for perforated covers)

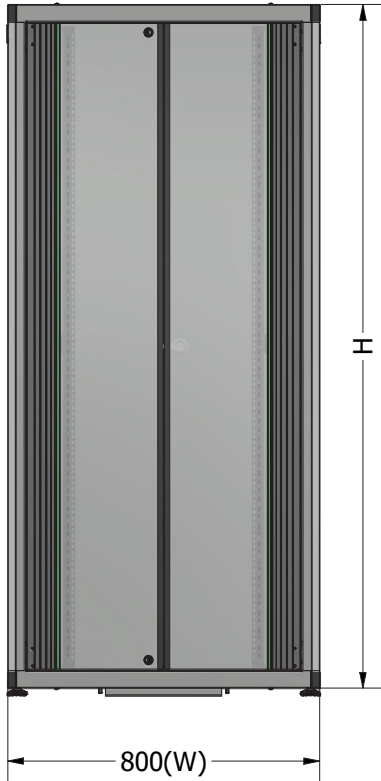




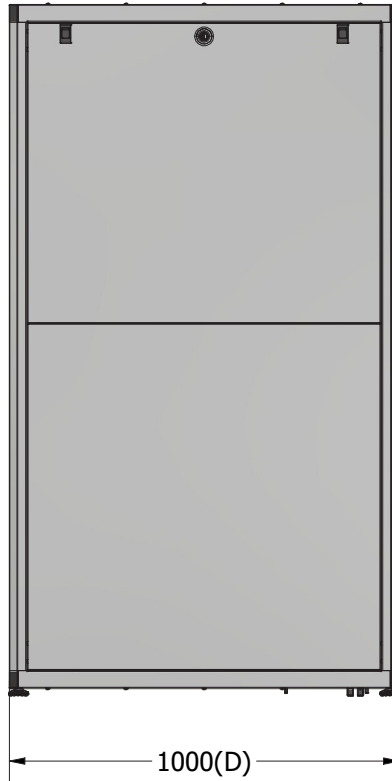


CASTOR CAN BE PREFERRED AS AN OPTION.

Front View



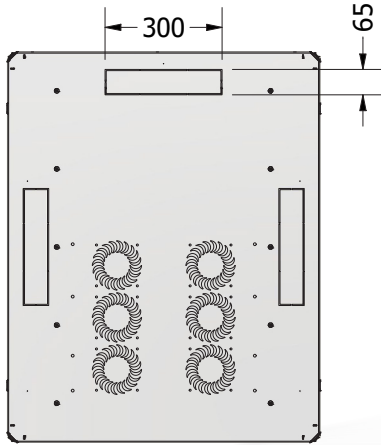
Side View



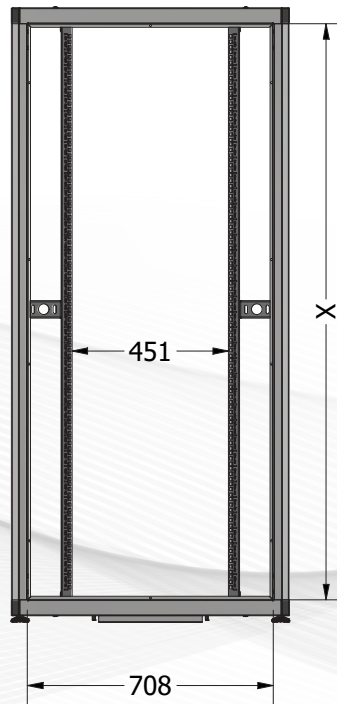
Rear View



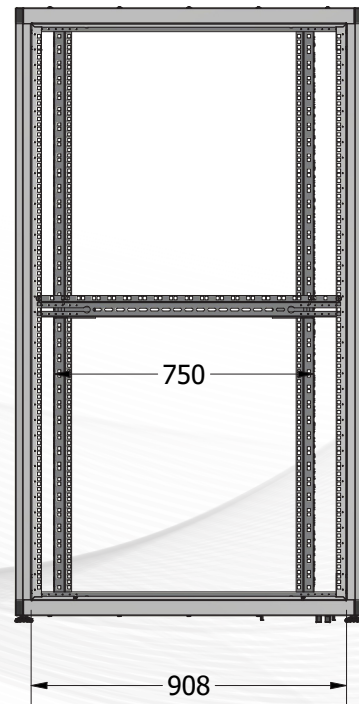
Top View



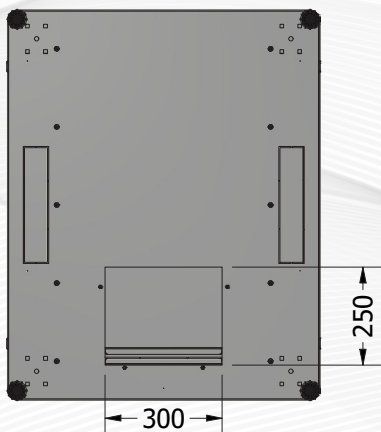
Front View



Side View



Bottom View



MATERIAL: 1.2 mm Steel / Powder Coating RAL9005 / 7035				
Load Capacity: 1000kg				
STANDARD TYPE PRODUCT CODES	DIMENSIONS(mm)			
Size	W	H	D	X
MR.GTN12U81.XX	800mm	684mm	1000mm	594mm
MR.GTN16U81.XX	800mm	861mm	1000mm	771mm
MR.GTN20U81.XX	800mm	1039mm	1000mm	949mm
MR.GTN22U81.XX	800mm	1128mm	1000mm	1038mm
MR.GTN26U81.XX	800mm	1306mm	1000mm	1216mm
MR.GTN32U81.XX	800mm	1573mm	1000mm	1483mm
MR.GTN36U81.XX	800mm	1750mm	1000mm	1660mm
MR.GTN40U81.XX	800mm	1928mm	1000mm	1838mm
MR.GTN42U81.XX	800mm	2017mm	1000mm	1927mm
MR.GTN46U81.XX	800mm	2195mm	1000mm	2105mm
PRODUCT CODES WITH %63 PERFORATED DOOR OPTIONS AND DESCRIPTION				
XX_PRF63	Front Single Perforated-Rear Double Perforated			
XX_OPRF63	Front Single Perforated-Rear Solid Metal (W600 Single / W800 Double)			
XX_ODPRF63	Front Double Perforated-Rear Solid Metal (W600 Single / W800 Double)			
XX_APRF63	Rear Single Perforated-Front Glass (W600 Single / W800 Double)			
XX_ADPRF63	Rear Double Perforated-Front Glass (W600 Single / W800 Double)			
XX_OADPRF63	Front Double Perforated-Rear Double Perforated			
XX_OAPRF63	Front Single Perforated-Rear Single Perforated			
XX_ODAPRF63	Front Double Perforated-Rear Single Perforated			
XX_NOPRF63	Angled Front Perforated-Rear Solid Metal (W600 Single / W800 Double)			
XX_NPRF63	Angled Front Perforated-Rear Double Perforated			
PRODUCT CODES WITH %80 PERFORATED DOOR OPTIONS				
XX_PRF80	Front Single Perforated-Rear Double Perforated			
XX_OPRF80	Front Single Perforated-Rear Solid Metal (W600 Single / W800 Double)			
XX_ODPRF80	Front Double Perforated-Rear Solid Metal (W600 Single / W800 Double)			
XX_APRF80	Rear Single Perforated-Front Glass (W600 Single / W800 Double)			
XX_ADPRF80	Rear Double Perforated-Front Glass (W600 Single / W800 Double)			
XX_OADPRF80	Front Double Perforated-Rear Double Perforated			
XX_OAPRF80	Front Single Perforated-Rear Single Perforated			
XX_ODAPRF680	Front Double Perforated-Rear Single Perforated			
XX_NOPRF80	Angled Front Perforated-Rear Solid Metal (W600 Single / W800 Double)			
XX_NPRF80	Angled Front Perforated-Rear Double Perforated			

- For H-42U and above, 3 pcs. hinges are used on the doors. (only for perforated covers)
- In cabinets with depths of 1100 and 1200, additional side panels are mounted.
- In cabinets with dimensions W800 D1000, W800 D1100, and W800 D1200, 4 pcs. Omega and 2 pcs. Horizontal Support Bar are used for both the right and left sides for H-42U and higher.
Left: 4 pcs. Omega and 2 pcs. Horizontal Support Bar
Right: 4 pcs. Omega and 2 pcs. Horizontal Support Bar

